

Technical Specifications

Model Number	SH-32206
Ordering Code	001092
Power Supply	80V ~ 220VAC, 50Hz, Capacity 0.8KVA
Current Output	Max. 6A/Ph.(Peak), adjustable by switches
Control Mode	Constant Current PWM Control
Excitation Mode	400/ 500/ 600/ 750/ 1000/ 1200/1500/ 2000/ 2500/ 3000/ 5000/ 6000 /7500 /10000/ 15000/ 30000 steps/ revolution
Isolation Resistance	>500M Ω
Dielectric Strength	1.0KV, 1 minute
Cooling	Fan-cooling
Operation Ambient	preventing dust, oil, corrosion
Operation Temperature	0 $^{\circ}$ C ~ +50 $^{\circ}$ C
Humidity	<80%RH, no condensation
Vibration	5.9m/s ² Max
Storage Temperature	-20 $^{\circ}$ C ~ +65 $^{\circ}$ C
Volume	187 \times 116 \times 81mm
Weight	1.2 Kg

Switch Options

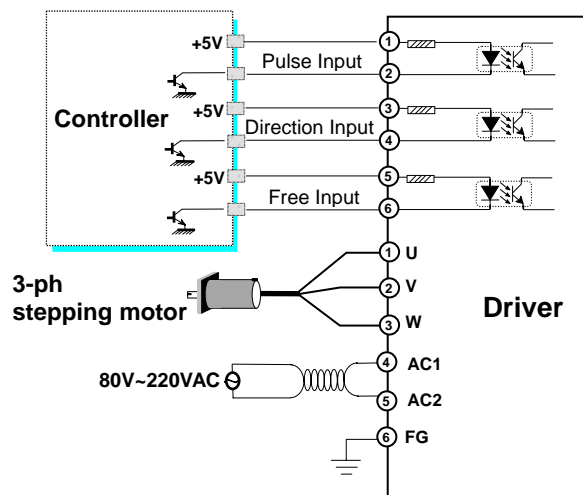
◆ Output Current Setting

SW 7	SW 8		SW 7	SW 8	
ON	ON	2A	OFF	ON	5A
ON	OFF	3A	OFF	OFF	6A

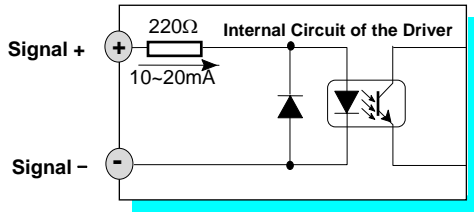
◆ Micro-step Setting

SW1	SW2	SW3	SW4	Step/ revolution	SW1	SW2	SW3	SW4	Step/ revolution
ON	ON	ON	ON	30000	ON	ON	ON	OFF	2000
OFF	ON	ON	ON	15000	OFF	ON	ON	OFF	1500
ON	OFF	ON	ON	10000	ON	OFF	ON	OFF	1200
OFF	OFF	ON	ON	7500	OFF	OFF	ON	OFF	1000
ON	ON	OFF	ON	6000	ON	ON	OFF	OFF	750
OFF	ON	OFF	ON	5000	OFF	ON	OFF	OFF	600
ON	OFF	OFF	ON	3000	ON	OFF	OFF	OFF	500
OFF	OFF	OFF	ON	2500	OFF	OFF	OFF	OFF	400

Typical Connection



Interface Circuit



Notice:

When the command input is not TTL compatible, a series resistor for current limiting should be added at each signal input port according to the voltage level you use, for example, 24V with 2kΩ.

